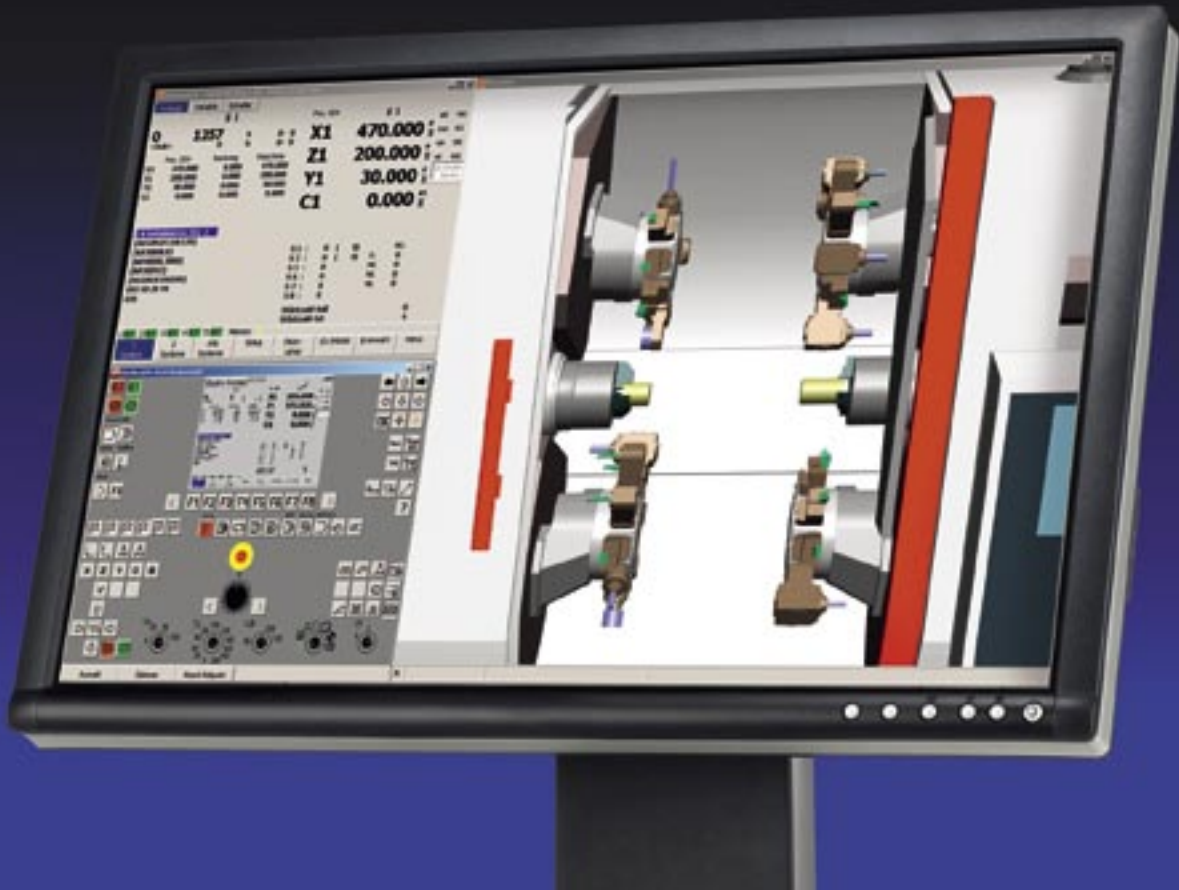


A PLUS for

high productivity



WinFlexIPS^{Plus}



Programming, simulation, optimization

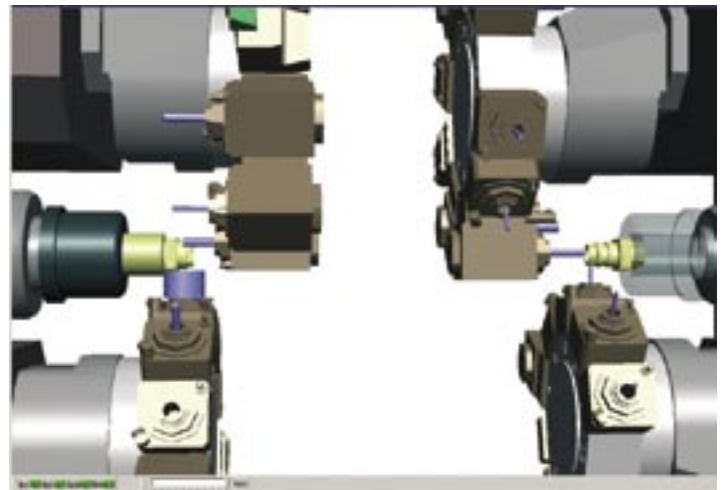
In addition to powerful programming, optimization and simulation functions, WinFlexIPS^{Plus} offers the “Setup and automatic mode” in the 3D model, just as if you were standing in front of the machine. This gives the user, in addition to the previous advantages of WinFlexIPS, also the real 3D model and all the operating elements, including their functions, of the real machine – and all of that on the PC!

WinFlexIPS



Your advantages:

- Fast and reliable programming as a result of optimized standard program elements.
- Clear depiction of the program sequence in plain text.
- The NC program is available immediately following the graphically interactive input and can be executed at once (compilation via a postprocessor is omitted).
- Change between dialog input and NC single block input is possible at any time.
- This makes optimization on the NC block level in detail possible without losing the dialog programming options.
- Program optimization directly in the simulation model (parallel simulation forward/backward).
- Simulation optionally in 2D or 3D on the basis of the NC program in TRAUB format.
- The user can select at any time the most favorable programming method.
- Planning and optimization of the setup process with the functions manual operation and automatic operation in accordance with the real machine.
- Instruction and training of control and operating functions for TRAUB machines.
- Aid for optimizing the introduction phase of new machines and for training new employees.



3D-model



Control panel in accordance with the real machine

Planning, optimizing

setup times, training



Planning even

before programming

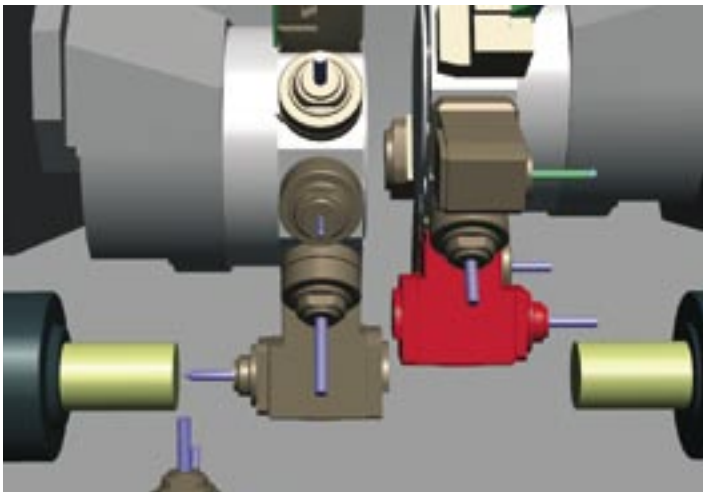
Examination of the working area, collision check, setup planning in the 3D model in accordance with the real machine.

Reducing setup times

Optimization of the setup process in manual and automatic operation for optimum setup specifications. Shorter setup times reduce machine downtimes, thus increasing productivity.

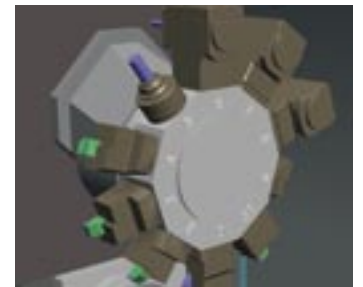
Instruction and training same as on the real machine

In-depth teaching of control and operating functions for TRAUB machines. Training aid for reducing the introduction phase of new machines, in order to guarantee smooth integration into the production process. Training of employees and apprentices on the PC without occupying the machine.

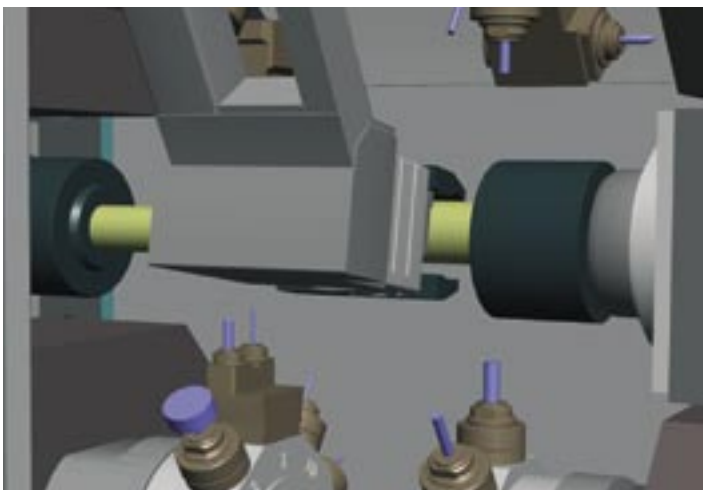


Application examples

- Turret indexing, checking for freedom from collision and determination of the tool change point.
- Axis and counter spindle travel for determining the available space between turret and clamping unit.

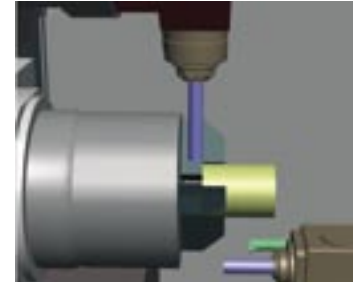


- Turret fitting and tool definition.



Handling system setup:

Determining the intermediate gripper positions in the working area for collision-free selection of the finished part and of the bar remnant.



- Checking the clamping jaw position (C axis) for collision-free bores between the clamping jaws.

TRAUB Drehmaschinen
GmbH & Co. KG
Hauffstraße 4
73262 Reichenbach, Germany
Tel. +49 (7153) 502-0
Fax +49 (7153) 502-694
www.traub.de

INDEX Corporation
14700 North Point Boulevard
Noblesville, IN 46060, USA
Tel. +1 (317) 770-6300
Fax +1 (317) 770-3166
www.index-usa.com

